

# Height Adjustable Overture

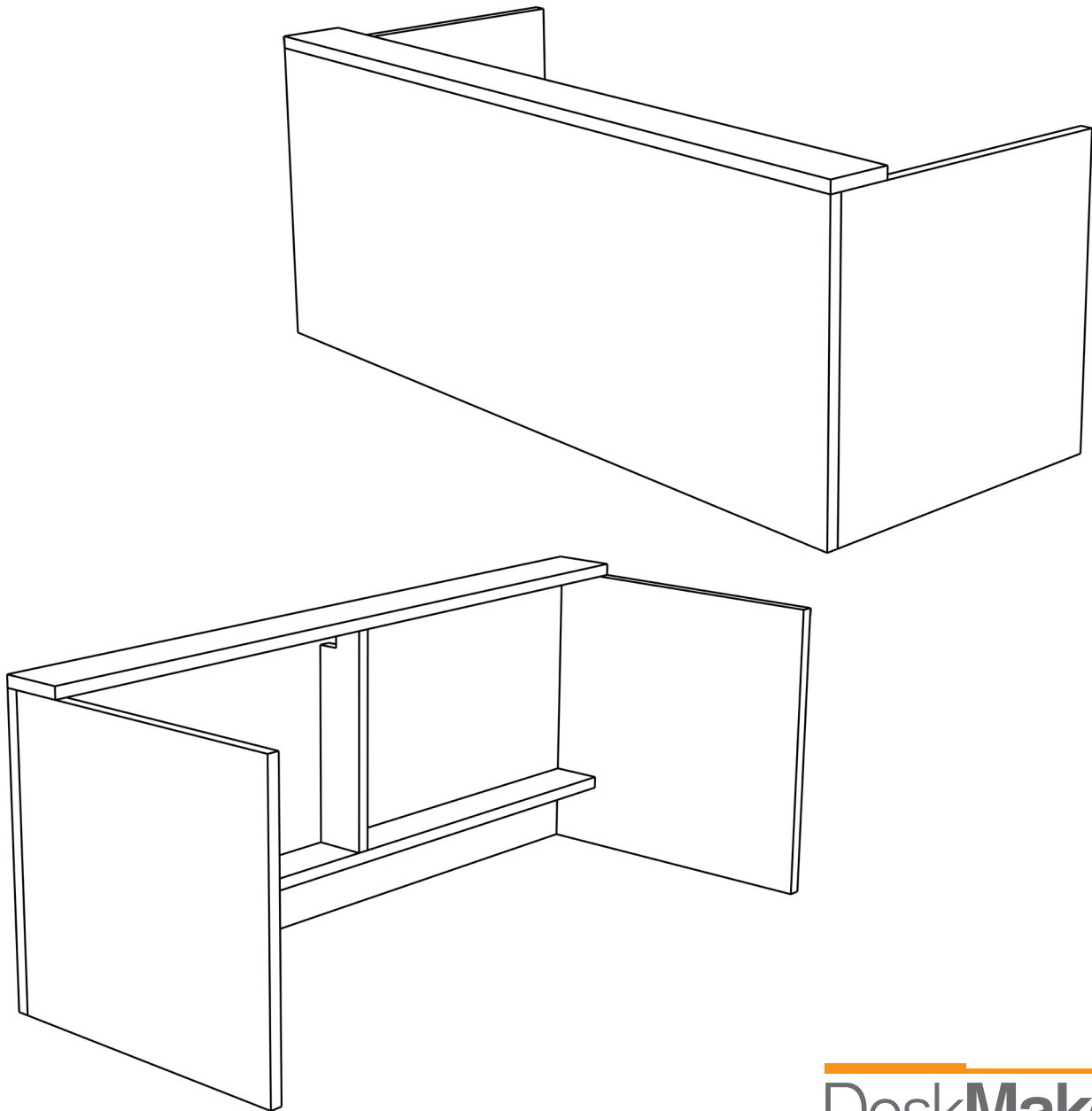
Installation Instructions



**DeskMakers**

# HA Overture Shells

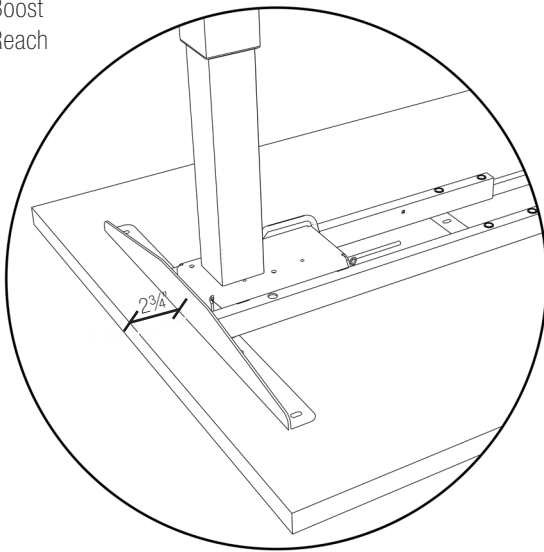
Installation Instructions - Desk Height



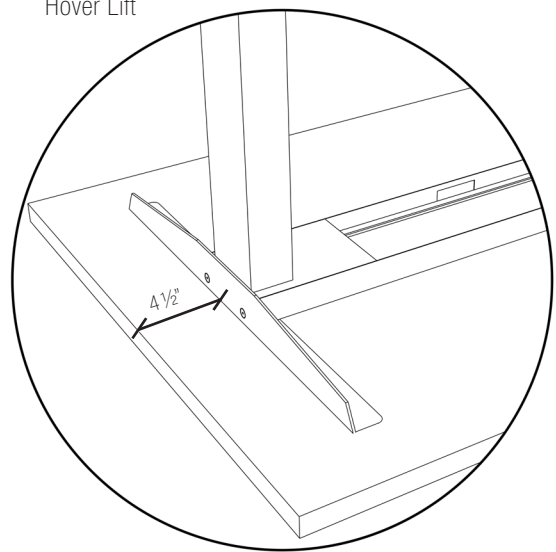
## HA Overture Installation Instructions

- 1 The first step of the installation process is attaching the assembled height adjustable base to the top. The exact position of the base will depend on which base is being used. If a non-DeskMakers height adjustable base is being used, simply center the base lengthwise on the top. The positions for DeskMakers bases are shown below. All height adjustable bases should be centered horizontally on the top.

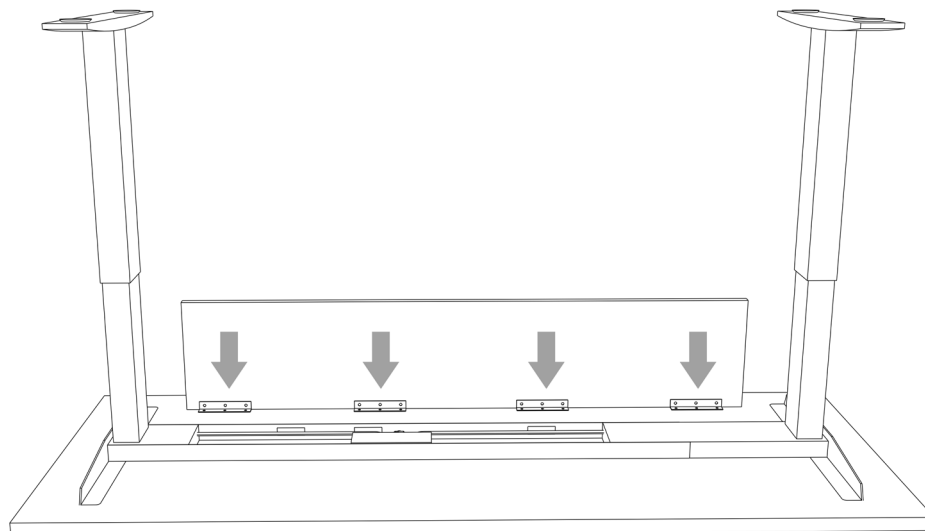
Hover Boost  
Hover Reach



Hover Lift



- 2 If the configuration requires a hanging modesty, install this piece (or at least the L-brackets) before flipping the desk right side up.

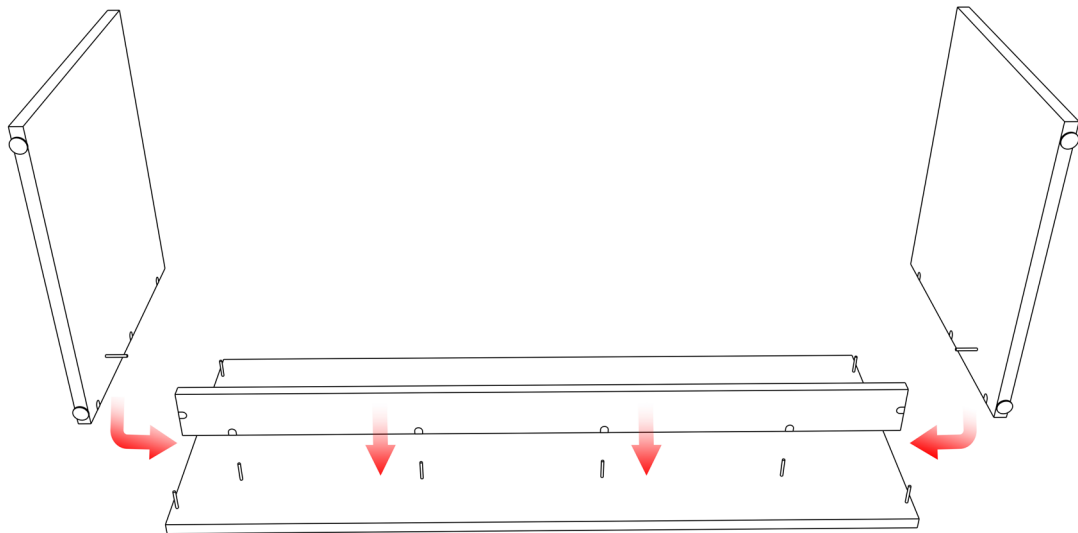


## HA Overture Installation Instructions

- ③ Height Adjustable Overture Desk Shells, Bridge Shells and Return Shells (all desk items with no attached top) ship knocked-down and are assembled using cam bolts. The cam locks and bolts will fit into pre-drilled holes and can be tightened using a #2 Phillips screwdriver.



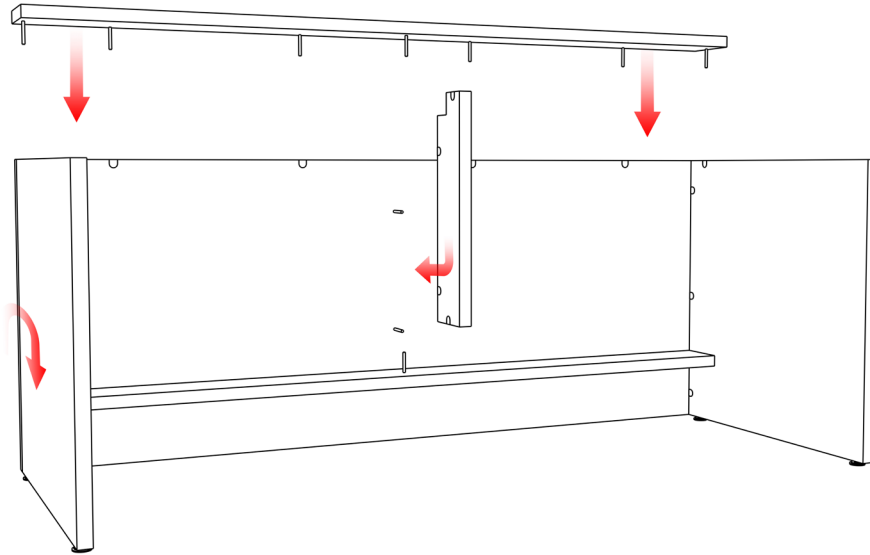
Start by laying the modesty panel on a padded surface, pre-drilled side facing up. The bolts attach to one panel and connect to cam locks on the corresponding panel as shown below. Connect the stretcher bar first, then attach the end panels.



## HA Overture Installation Instructions

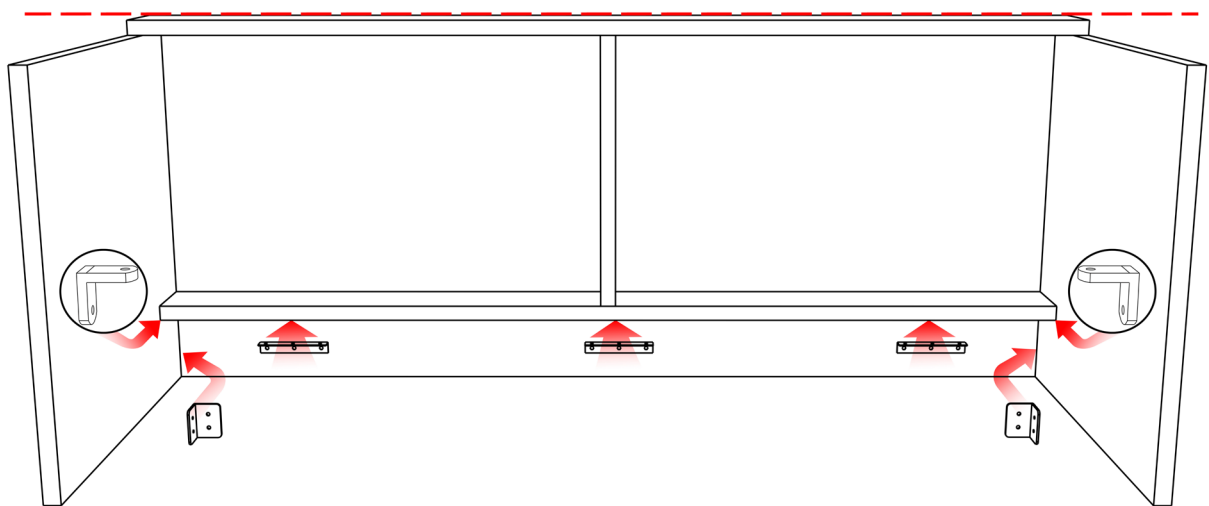
4

Roll the table right side up as shown, not by turning it over an end panel. Attach the center support, and then the top panel last.



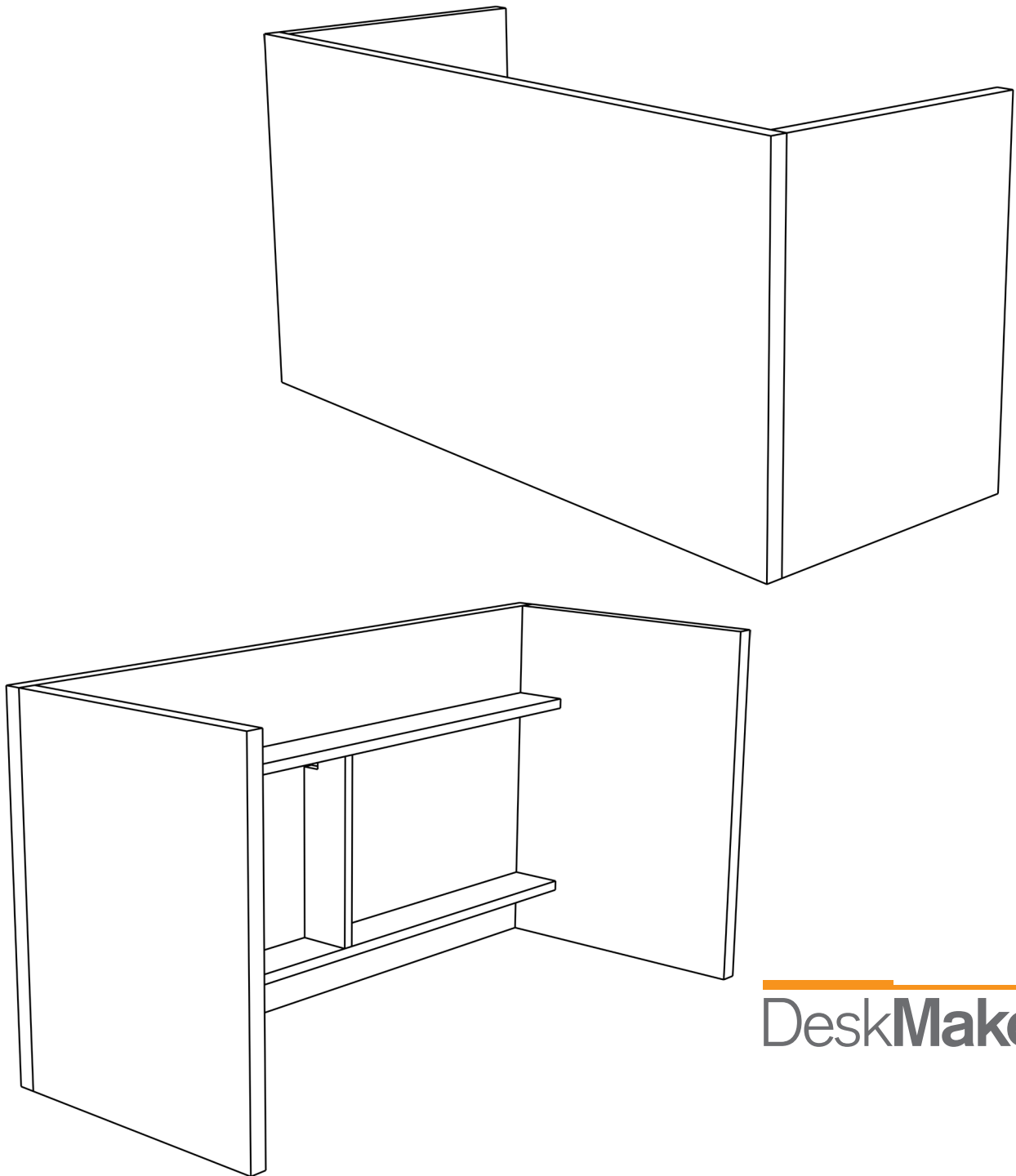
5

Square the desk shell before tightening, and use the glides to level the unit on as necessary. Attach the included L-bracketed as shown to provide additional support to the unit after cam assembly is complete.



# HA Overture Shells

Installation Instructions - Transaction Height

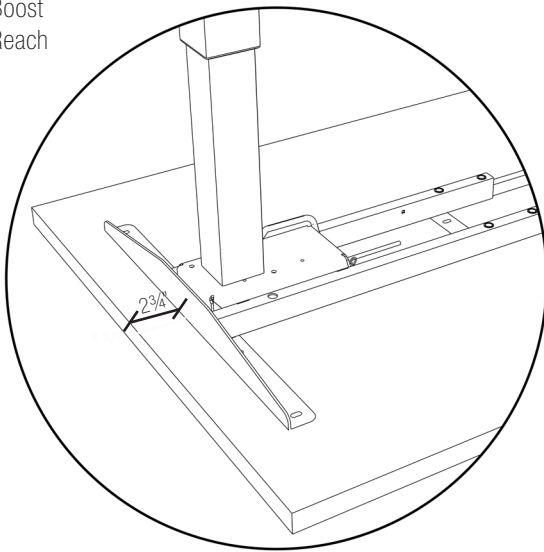


**DeskMakers**

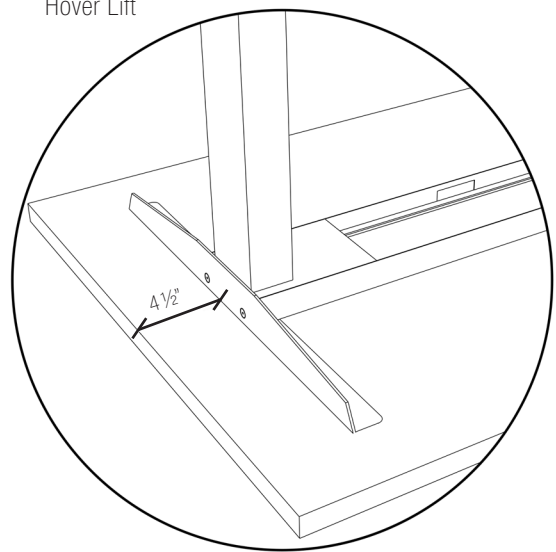
## HA Overture Installation Instructions

- 1 The first step of the installation process is attaching the assembled height adjustable base to the top. The exact position of the base will depend on which base is being used. If a non-DeskMakers height adjustable base is being used, simply center the base lengthwise on the top. The positions for DeskMakers bases are shown below. All height adjustable bases should be centered horizontally on the top.

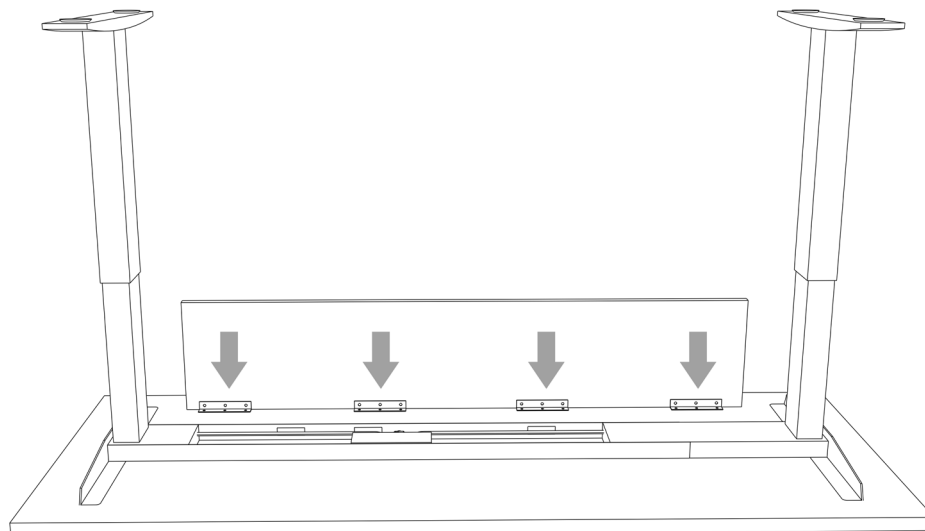
Hover Boost  
Hover Reach



Hover Lift



- 2 If the configuration requires a hanging modesty, install this piece (or at least the L-brackets) before flipping the desk right side up.

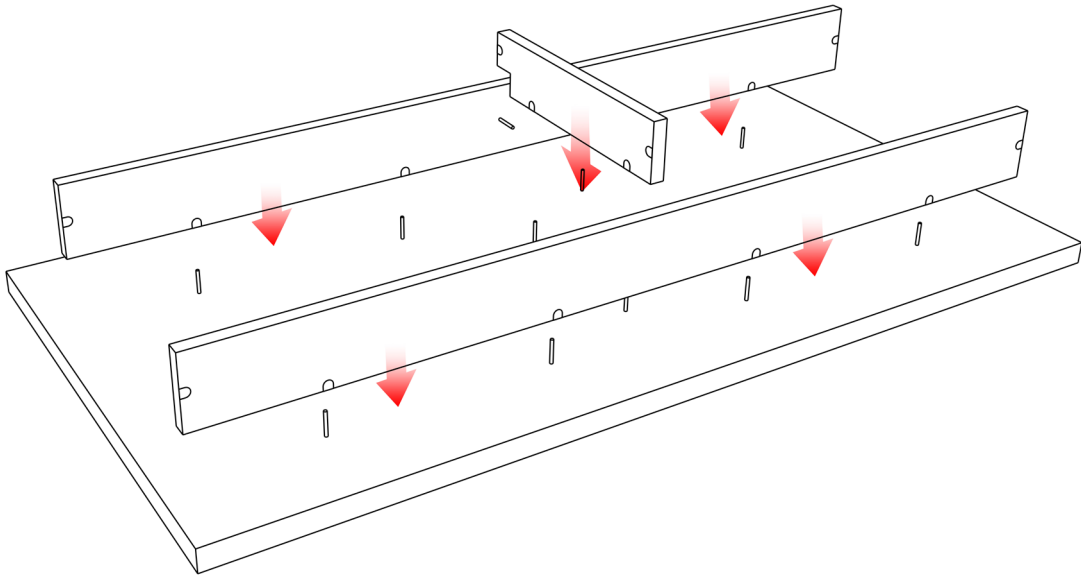


## HA Overture Installation Instructions

- ③ Height Adjustable Overture Desk Shells, Bridge Shells and Return Shells (all desk items with no attached top) ship knocked-down and are assembled using cam bolts. The cam locks and bolts will fit into pre-drilled holes and can be tightened using a #2 Phillips screwdriver.



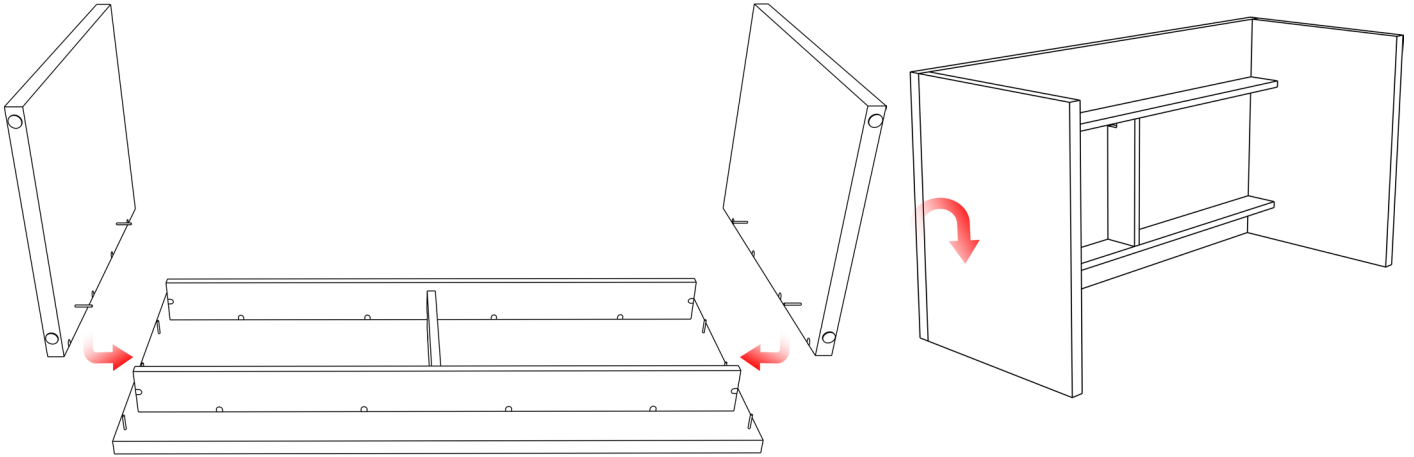
Start by laying the modesty panel on a padded surface, pre-drilled side facing up. The bolts attach to one panel and connect to cam locks on the corresponding panel as shown below. Connect the stretcher bar and center support panel first.



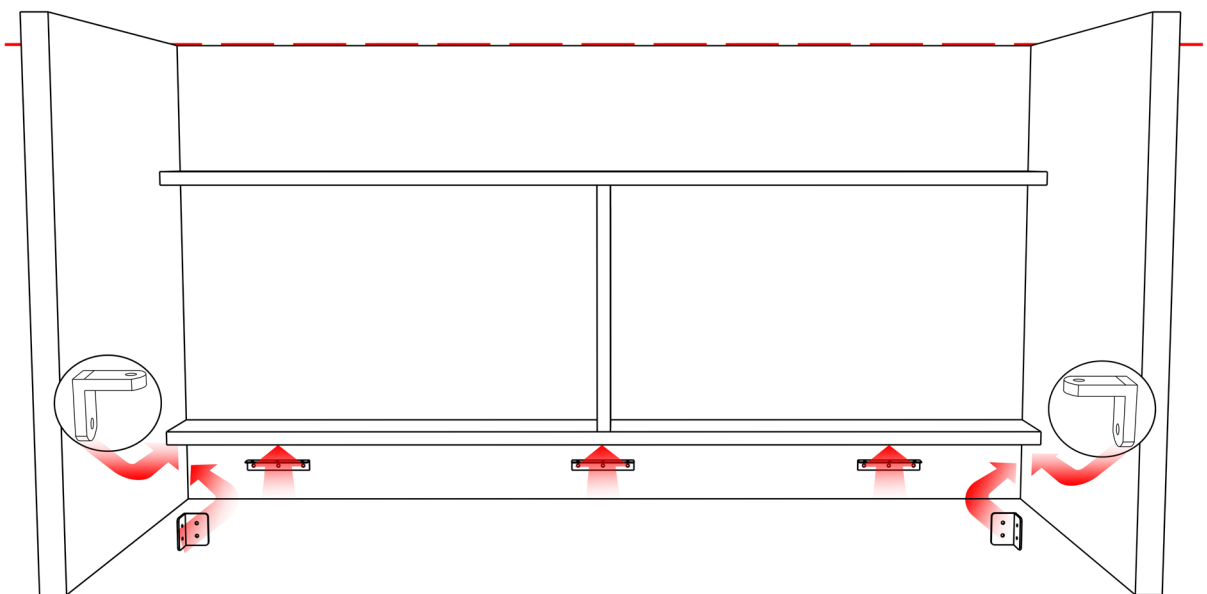


## HA Overture Installation Instructions

- 4 The final pieces to attach on the Transaction Height shell are the end panels. Once these are fastened, roll the desk forward by lifting from the modesty, do not pull on the end panel.

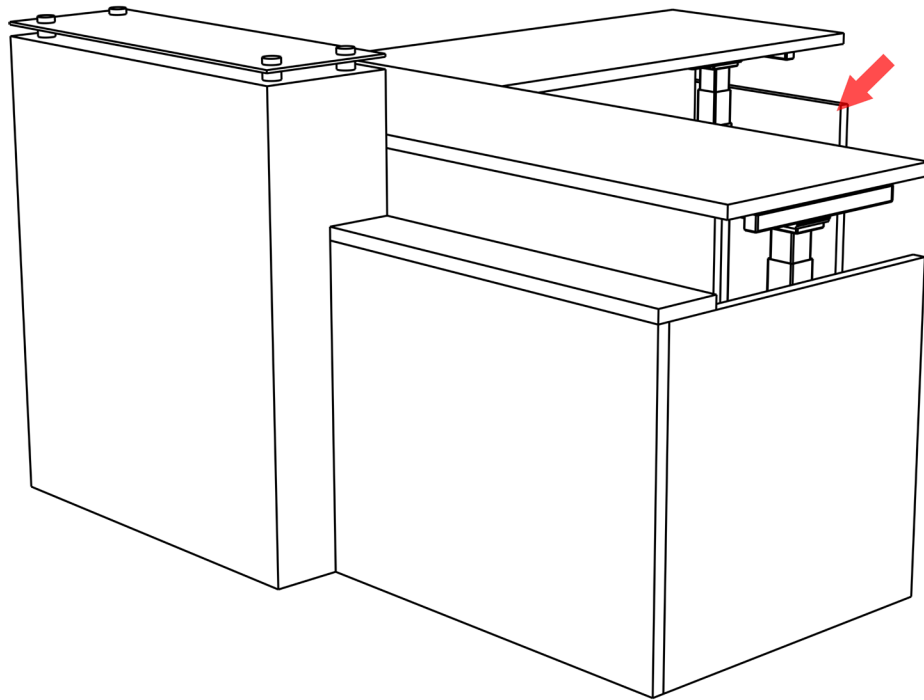


- 5 Square the desk shell before tightening, and use the glides to level the unit on as necessary. Attach the included L-bracketed as shown to provide additional support to the unit after cam assembly is complete.



# HA Overture Shells

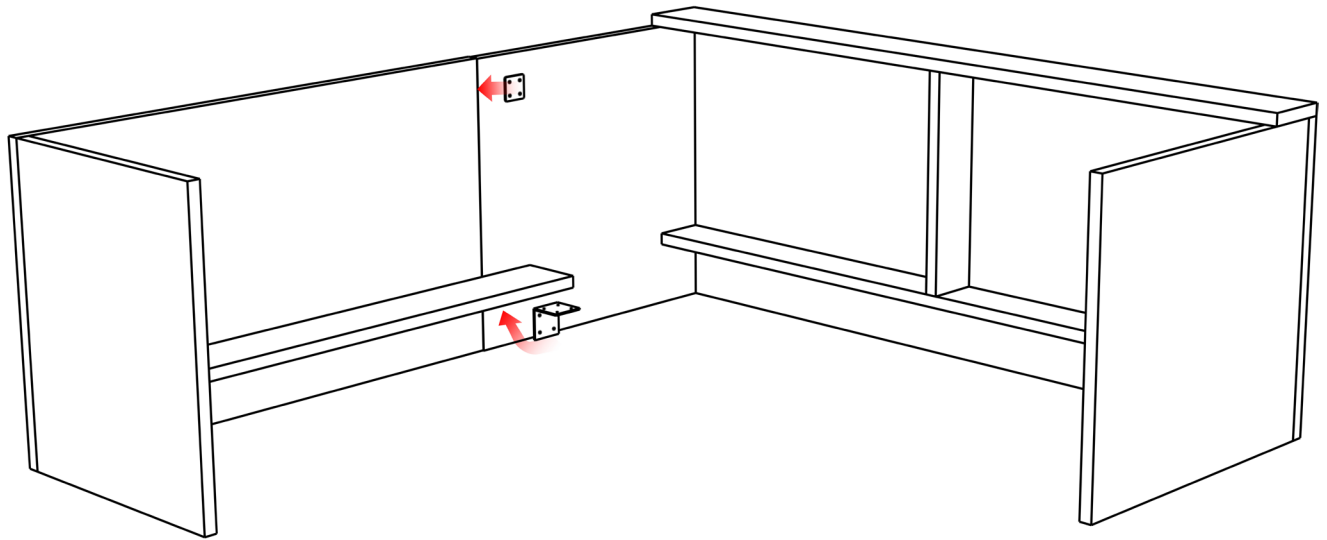
Installation Instructions - Return Shell



## HA Overture Installation Instructions

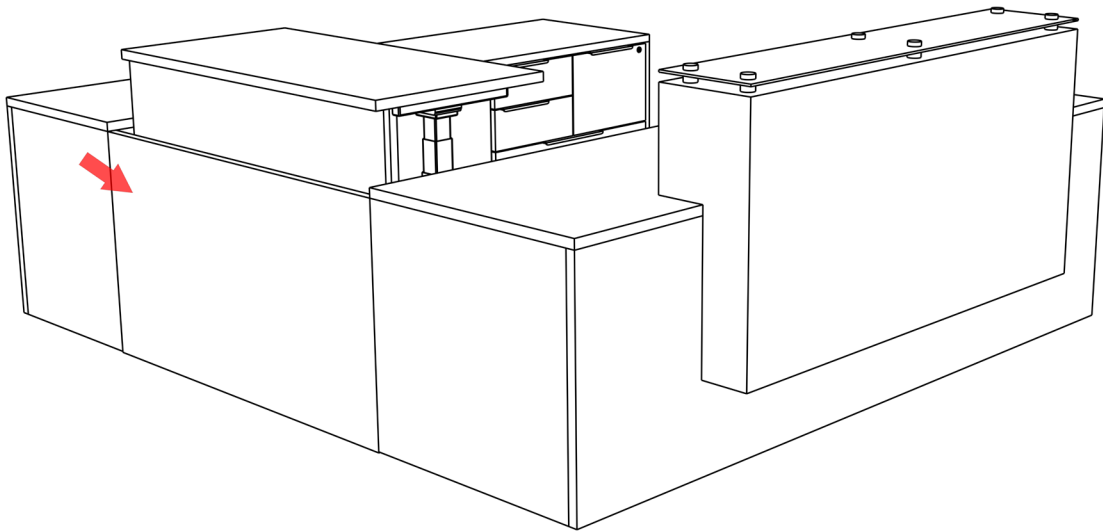
1

Return Shells also ship knocked-down and are assembled following the same steps as the desk height shell. Once assembled they should be secured to a desk or credenza ( HA Return Shells can be connected to either HA Desk Shells or fixed surface furniture) using the included hardware as shown.



# HA Overture Shells

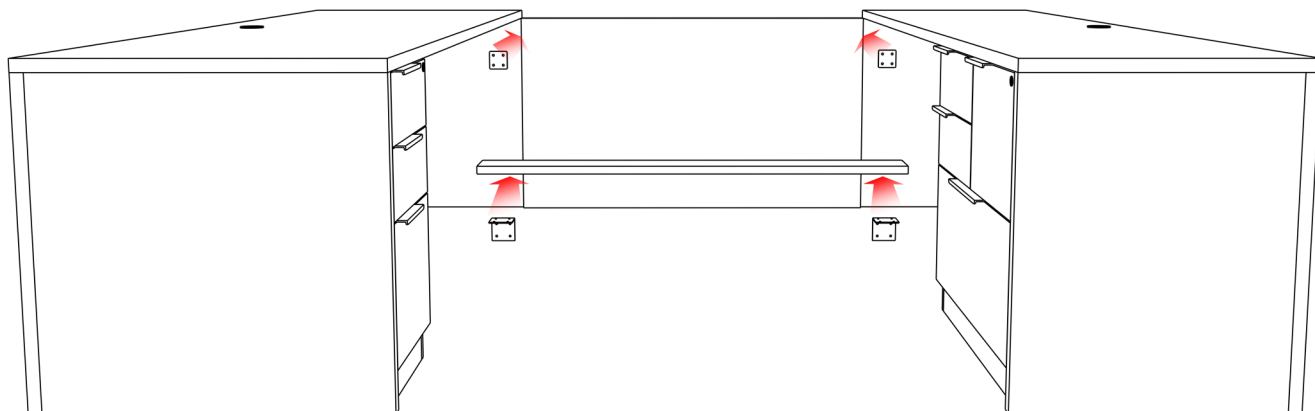
Installation Instructions - Bridge Shell



## HA Overture Installation Instructions

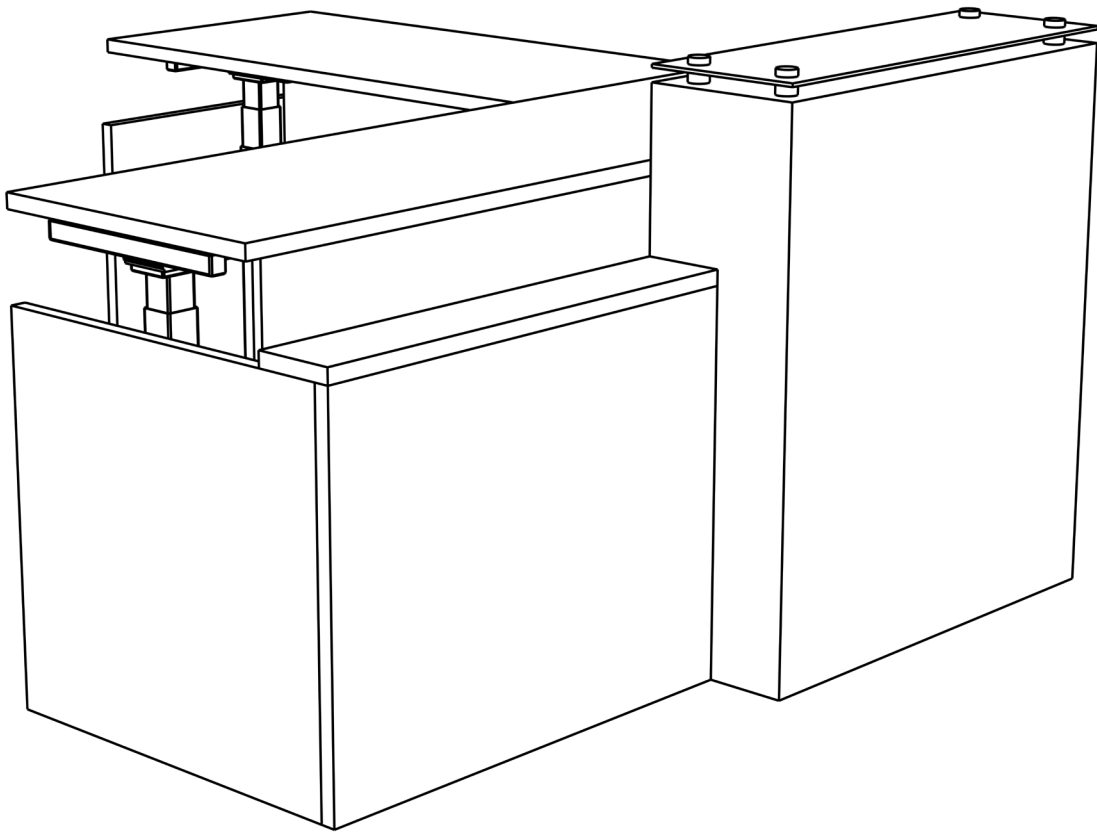
1

The HA Bridge Shell ships in two pieces - the stretcher bar connects to the height modesty panel via cam bolts. Once it is assembled, it attaches to a desking unit on either side using the included brackets as shown below. This bridge shell can be used with either HA Desk Shells, fixed surface furniture or a combination of the two.



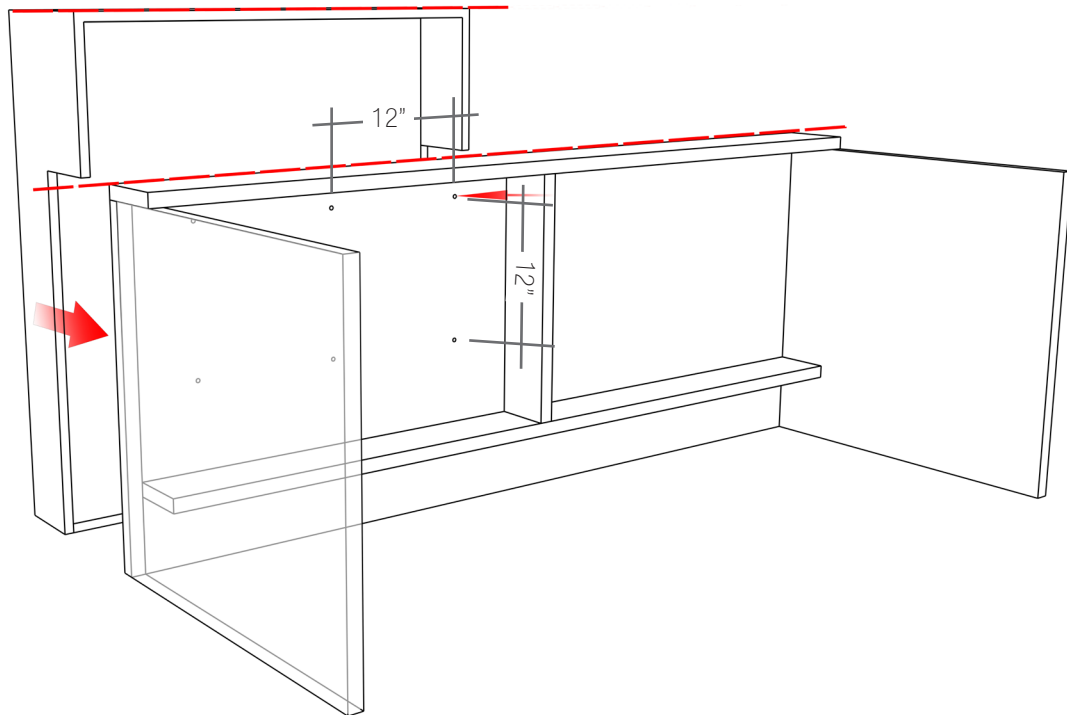
# HA Overture Counters

Installation Instructions - Full Height Stack-on



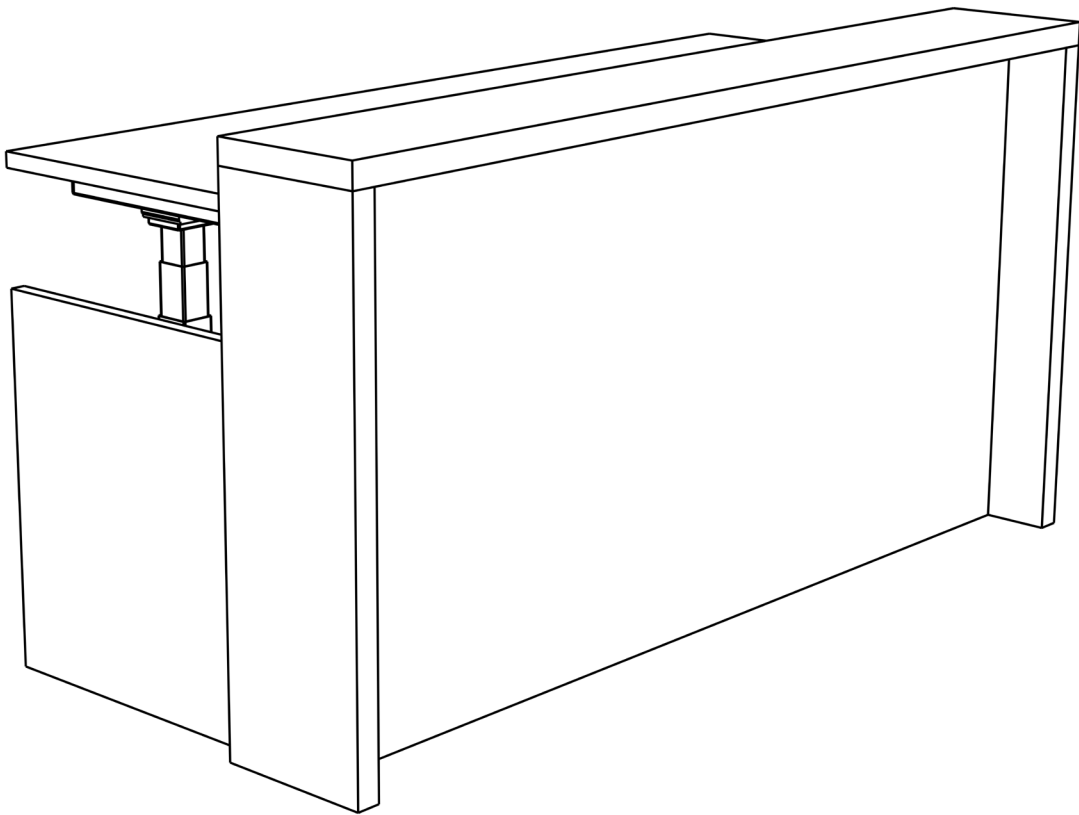
## HA Overture Installation Instructions

- 1 Before attaching the stack-on counter, first make sure the desk shell is square with itself, and level on the floor where the furniture will be positioned. Use the glides on the stack-on to adjust the counter to be level with the floor and desk before connecting the two items. Using the #8 screws (standard 1 1/4" long wood screws) fasten the counter to the desk shell by drilling screws through the modesty panel into lower section of the stack-on counter. A minimum of 4 screws should be used, in a 12"x12" square for 30" counter. Add more screws every 12" as necessary for longer counters.



# HA Overture Counters

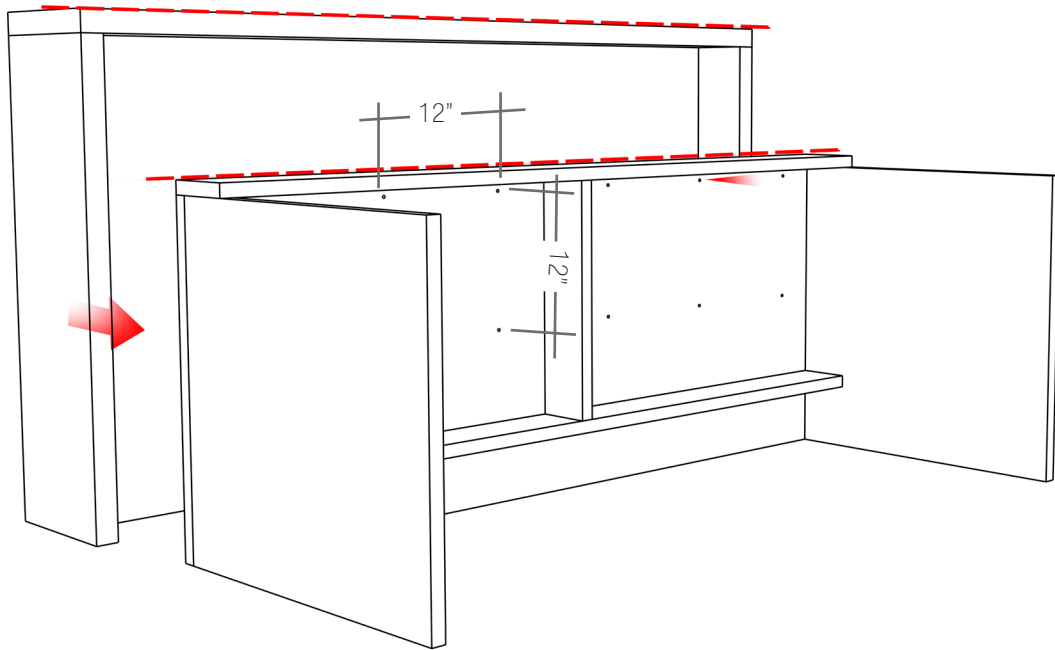
Installation Instructions - Shroud Counter



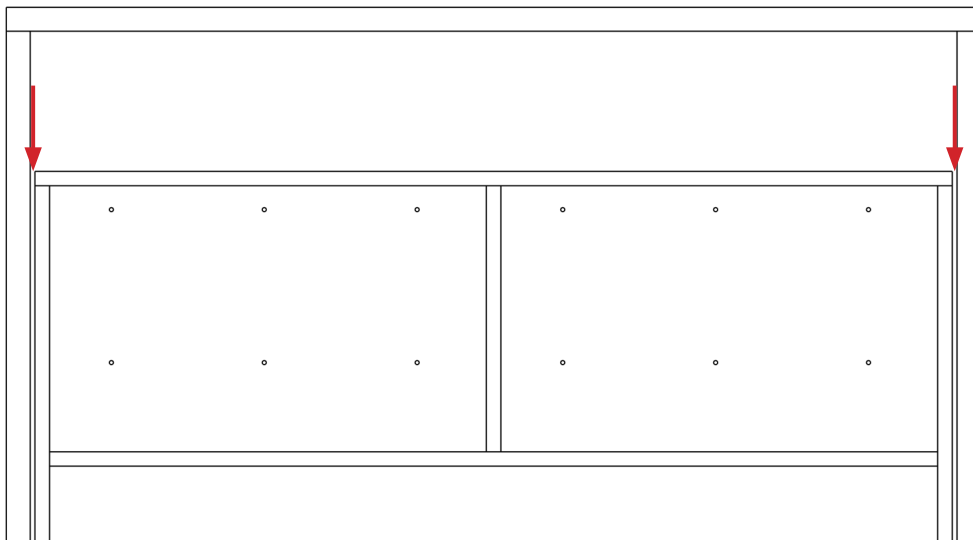


## HA Overture Installation Instructions

- 1 Before attaching the shroud counter, first make sure the desk shell is square with itself, and level on the floor where the furniture will be positioned. Use the glides on the shroud to adjust the counter to be level with the floor and desk before connecting the two items. Using the #8 screws (standard 1 1/4" long wood screws) fasten the counter to the desk shell by drilling screws through the modesty panel into lower section of the stack-on counter. A minimum of 8 screws should be used, in 12"x12" squares for a 64" counter. Add more screws every 12" as necessary for longer counters.

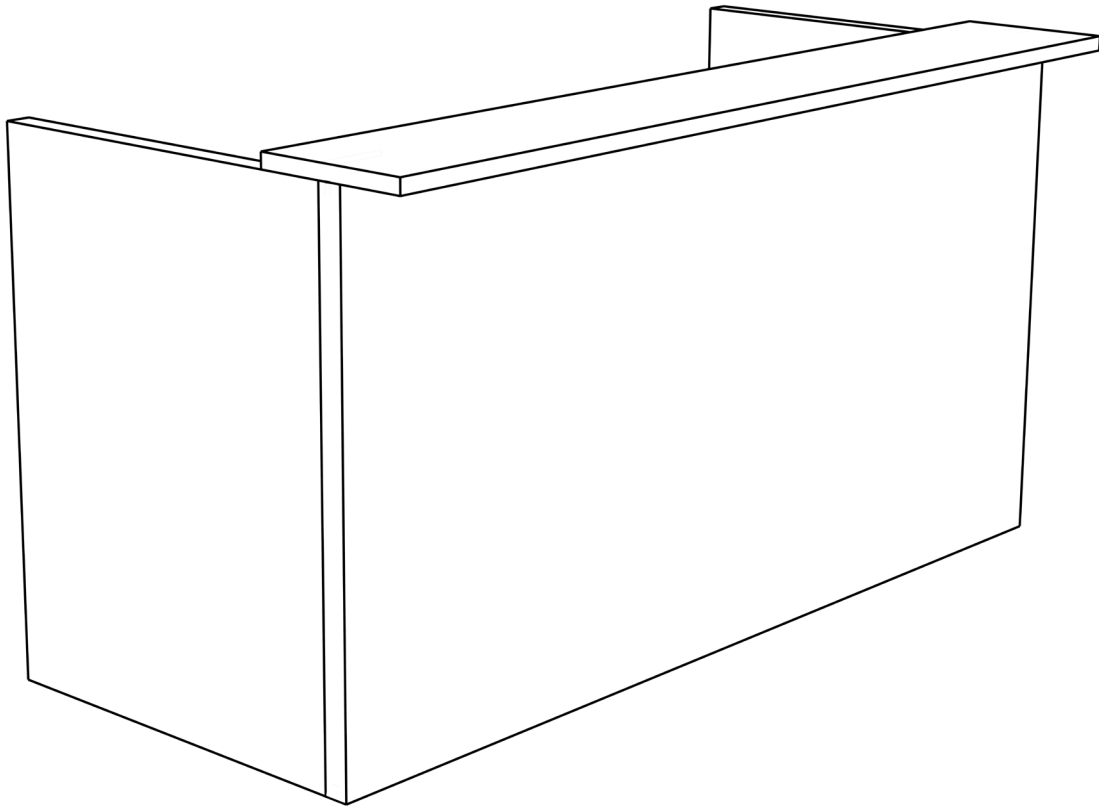


- 2 Please note that the shroud will be slightly oversized to the desk shell to allow for proper fit. Desk Shell should be centered to Shroud before install unless it is desirable to exploit this gap for cord management.



# HA Overture Counters

Installation Instructions - Laminate Counter



## HA Overture Installation Instructions

- 1 Laminate Counter is attached to Transaction Shell by L-Brackets on the underside from the user side of the desk. When installing on the HA version of the desk, it should be centered over the front panel of the desk shell to avoid conflict with desk surface while in motion.

